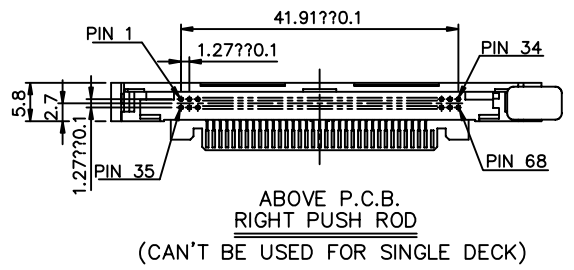
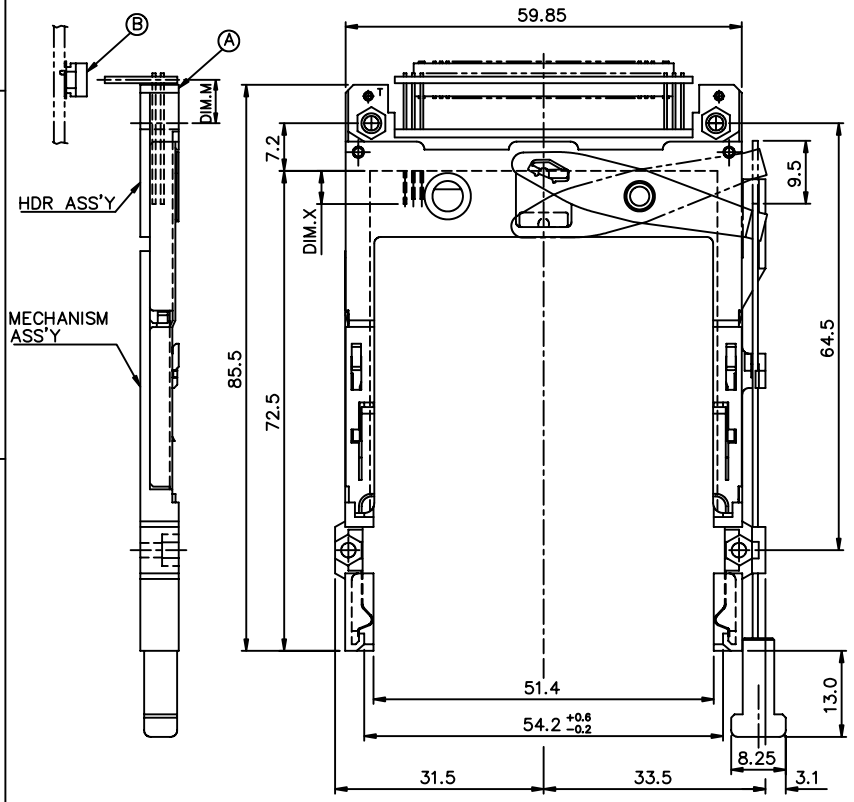


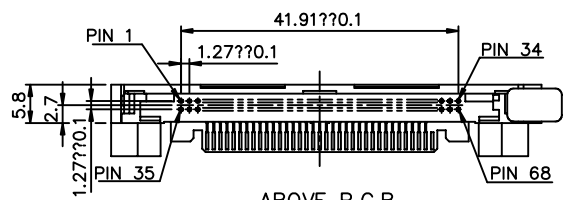
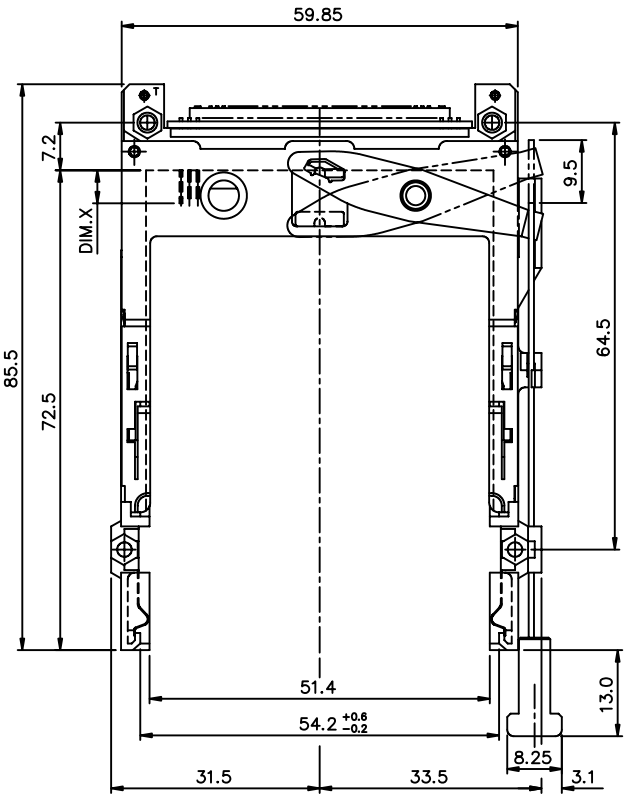
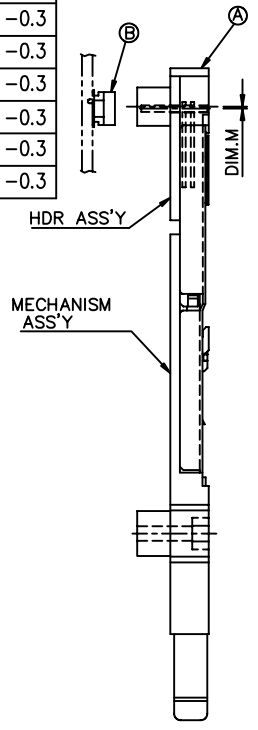
Tous droits strictement réservés. Reproduction ou communication à des tiers int  
 sans autorisation écrite du propriétaire.  
 propriété de BERG ELECTRONICS  
 Droits de reproduction BERG ELECTRONICS by

All rights strictly reserved. Reproduction or issue to third parties in any for  
 without written authority from the proprietor.  
 Copyright BERG ELECTRONICS by

PRODUCT NO.	DIM.M
61125-005CA/005CALF	10.0
61125-025CA/025CALF	6.55
61125-045CA/045CALF	6.55
61125-055CA/055CALF	6.55
61125-025CAC/025CACLF	6.55
61125-045CAC/045CACLF	6.55
61125-055CAC/055CACLF	6.55



PRODUCT NO.	DIM.M
61125-020CA/020CALF	-0.3
61125-220CA/220CALF	2.15
61125-040CA/040CALF	-0.3
61125-050CA/050CALF	-0.3
61125-050CAN/050CANLF	-0.3
61125-020CAC/020CACLF	-0.3
61125-040CAC/040CACLF	-0.3
61125-050CAC/050CACLF	-0.3



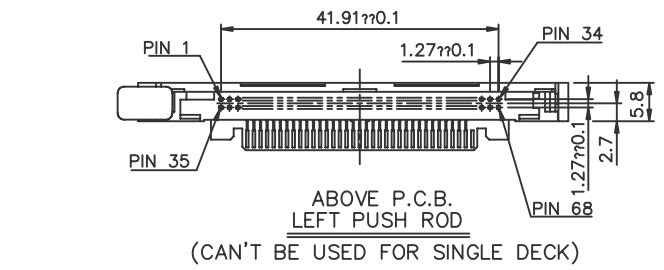
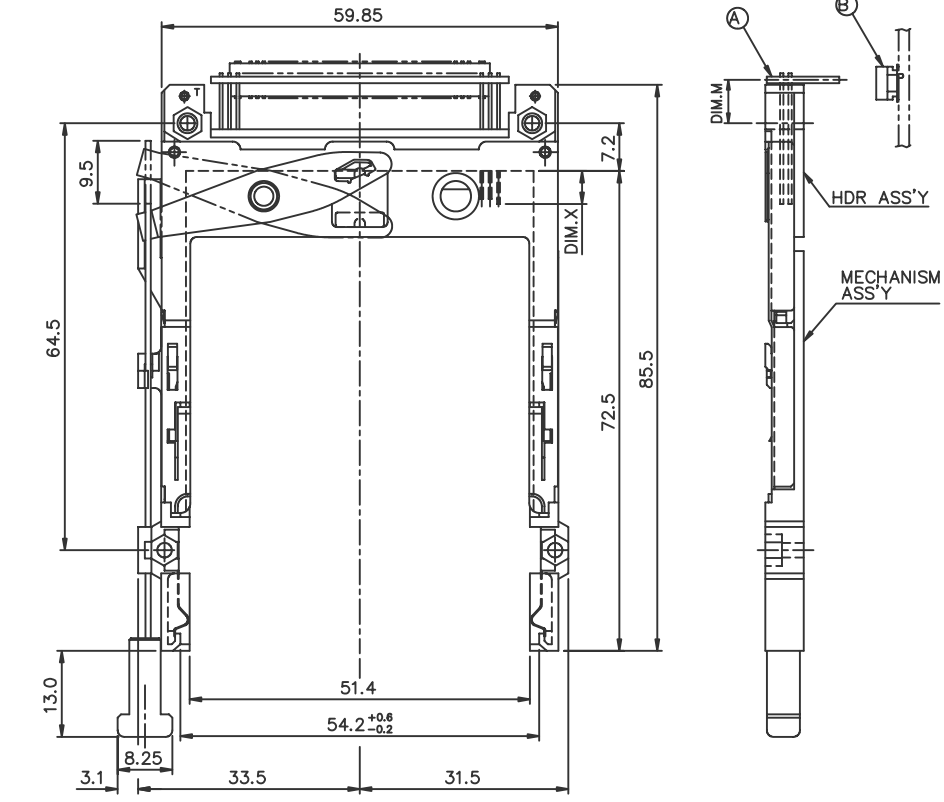
ABOVE P.C.B.  
 RIGHT PUSH ROD  
 (CAN BE USED FOR SINGLE DECK)

mat'l code		tolerance unless otherwise specified		CUSTOMER COPY		FCI		www.fciconnect.com	
rev.	ecn no.	dr	date	linear	± 0.30	projection	title		
J	N05-0063	W B	03/04/05				EJECTOR HEADER ASS'Y		
K	N05-0140	W B	05/31/05				3.3V, SMT TYPE 1/2/3		
D	T10132	W L	05/11/01	angles	± 2°		product family		code
E	T10162	W L	06/14/01	dr	WENDY CHEN	07/11/95	unit	PCMCIA	
F	T20036	W L	01/30/02	enr	JOSEPH HSIA	07/11/95	mm/inch	size	dwg no.
G	T20234	W L	07/25/02	chr	JOSEPH HSIA	07/11/95	scale	A3	
H	T03-0216	W L	06/09/03	appd	JENN TSAO	07/11/95	1.2:1	61125	
sheet	revision	K	J	J	J	K	J	1 of 6	
index	sheet	1	2	3	4	5	6		

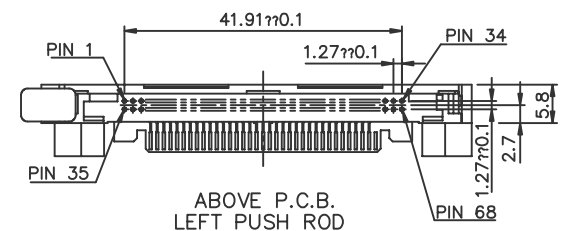
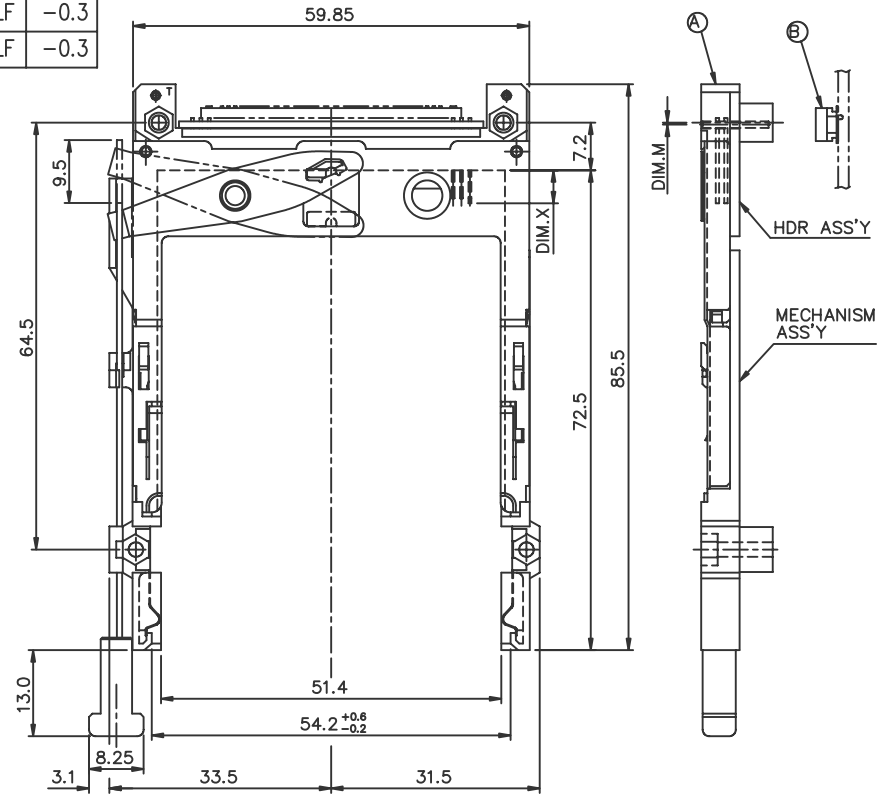
Tous droits strictement réservés. Reproduction ou communication à des tiers sans autorisation écrite du propriétaire. BERG ELECTRONICS. Droits de reproduction BERG ELECTRONICS by

All rights strictly reserved. Reproduction or issue to third parties in any form without written authority from the proprietor. BERG ELECTRONICS. Copyright BERG ELECTRONICS by

PRODUCT NO.	DIM.M
61125-105CA/105CALF	10.0
61125-125CA/125CALF	6.55
61125-145CA/145CALF	6.55
61125-155CA/155CALF	6.55



PRODUCT NO.	DIM.M
61125-120CA/120CALF	-0.3
61125-140CA/140CALF	-0.3
61125-150CA/150CALF	-0.3

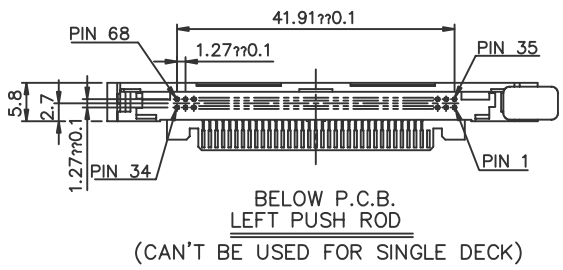
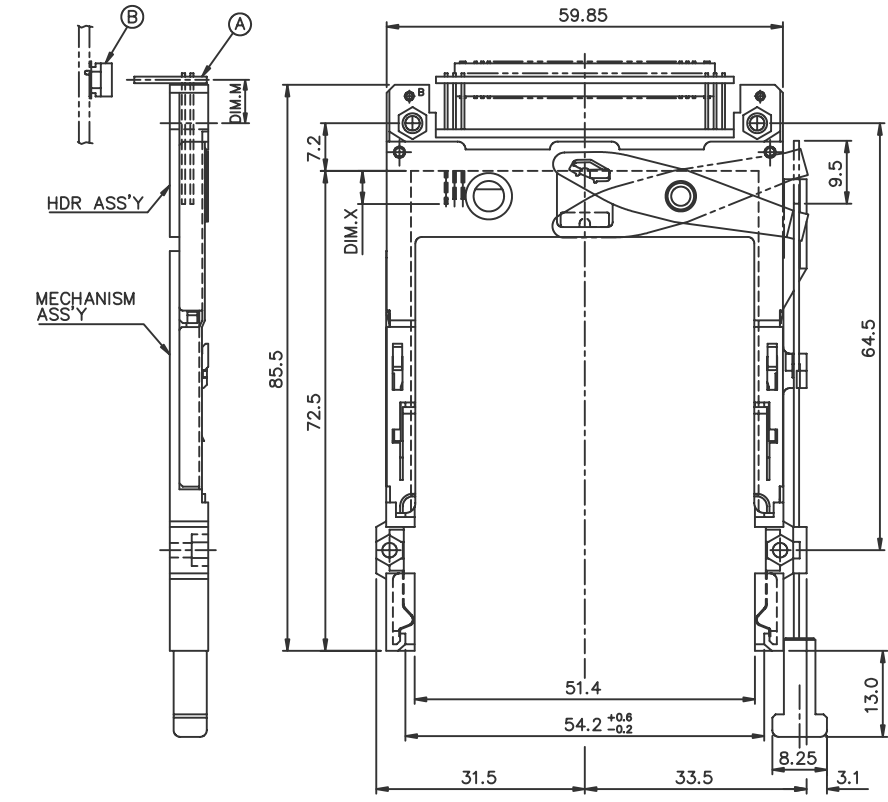


mat'l code	tolerance unless otherwise specified	CUSTOMER COPY	 www.fciconnect.com
rev. ecn no. dr date	± 0.30	projection	
J	linear		title EJECTOR HEADER ASS'Y 3.3V, SMT TYPE 1/2/3
	angles ± 2°		product family PCMCIA code
	dr WENDY CHEN 07/11/95	unit mm/inch	size dwg no.
	enr JOSEPH HSIA 07/11/95	scale 1.2:1	A3 61125
	chr JOSEPH HSIA 07/11/95		sheet 2 of
	appd JENN TSAO 07/11/95		
sheet index	revision sheet		

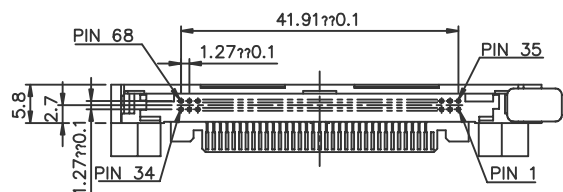
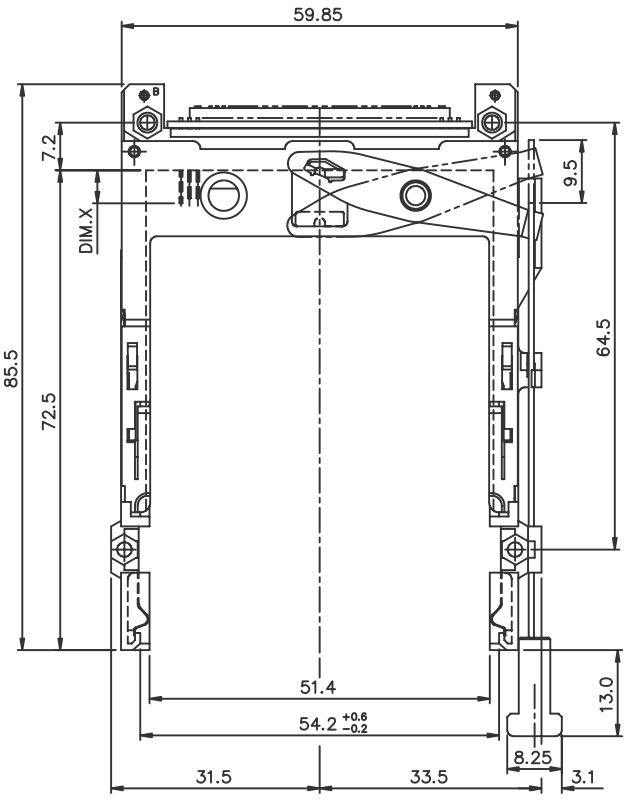
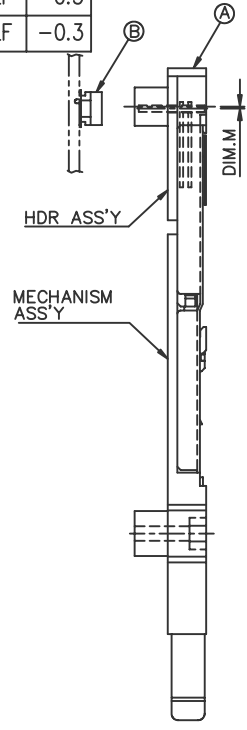
Tous droits strictement réservés. Reproduction ou communication à des tiers interdite sans autorisation écrite du propriétaire. Copyright BERG ELECTRONICS by

All rights strictly reserved. Reproduction or issue to third parties in any form without written authority from the proprietor. Copyright BERG ELECTRONICS by



PRODUCT NO.	DIM.M
61125-605CA/650CALF	10.0
61125-625CA/625CALF	6.55
61125-645CA/645CALF	6.55
61125-655CA/655CALF	6.55



PRODUCT NO.	DIM.M
61125-620CA/620CALF	-0.3
61125-640CA/640CALF	-0.3
61125-650CA/650CALF	-0.3



BELOW P.C.B.  
LEFT PUSH ROD  
(CAN BE USED FOR SINGLE DECK)

mat'l code		tolerance unless otherwise specified		CUSTOMER COPY		 www.fciconnect.com	
rev.	ecn no.	dr	date	linear	± 0.30	projection	title
J				angles	± 2°		EJECTOR HEADER ASS'Y 3.3V, SMT TYPE 1/2/3
		dr	WENDY CHEN 07/11/95	unit	mm/inch	product family	PCMCIA
		enr	JOSEPH HSIA 07/11/95	size	scale	dwg no.	
		chr	JOSEPH HSIA 07/11/95	scale	1.2:1	61125	sheet 3 of
		appd	JENN TSAO 07/11/95				
sheet	revision						
index	sheet						

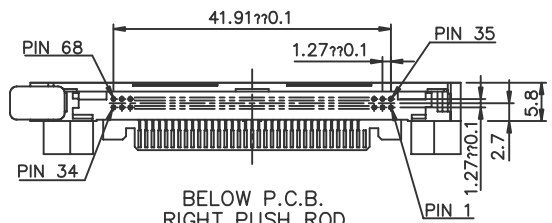
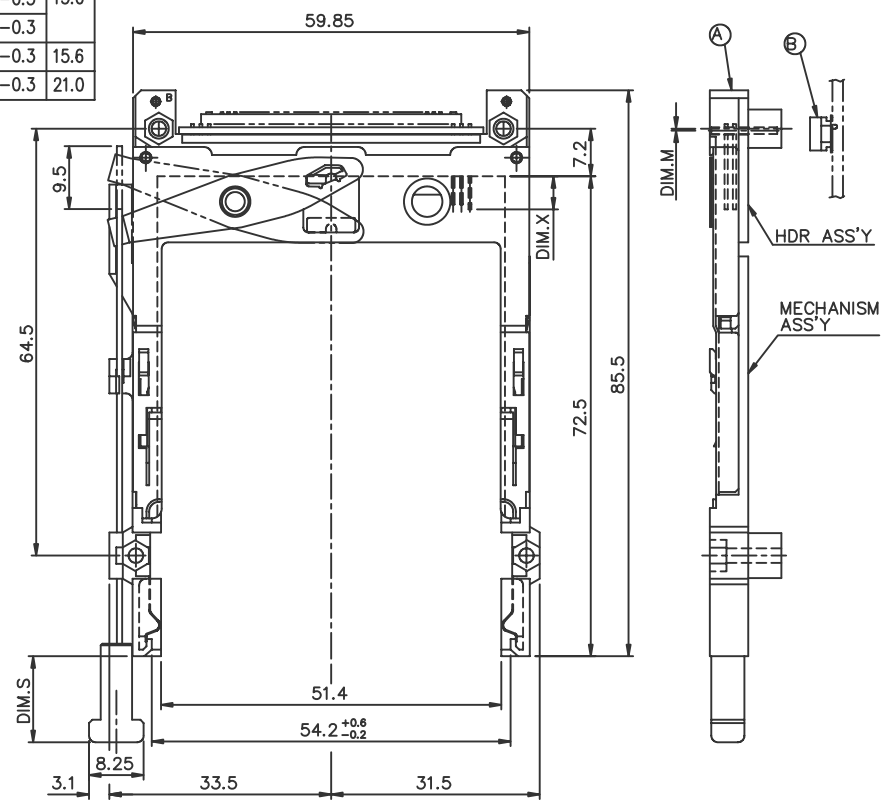
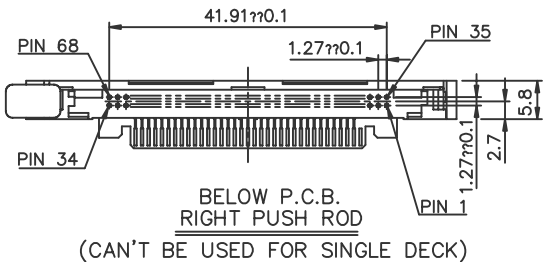
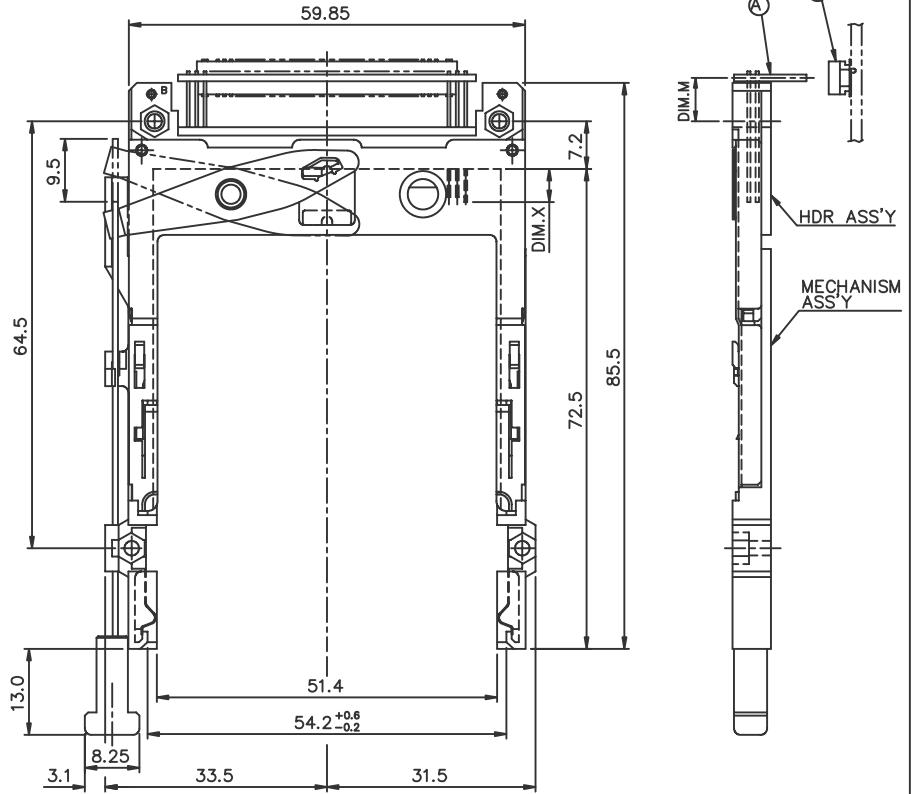
Tous droits strictement reserves. Reproduction ou communication a des tiers int sans autorisation ecrite du proprietaire.  
 Berg ELECTRONICS  
 Droits de reproduction BERG ELECTRONICS by

**FCI**

All rights strictly reserved. Reproduction or issue to third parties in any form without written authority from the proprietor.  
 Berg ELECTRONICS  
 Copyright BERG ELECTRONICS by

PRODUCT NO.	DIM.M
61125-505CA/505CALF	10.0
61125-525CA/525CALF	6.55
61125-545CA/545CALF	6.55
61125-555CA/555CALF	6.55

PRODUCT NO.	DIM.M	DIM.S
61125-520CA/520CALF	-0.3	13.0
61125-540CA/540CALF	-0.3	
61125-550CA/550CALF	-0.3	15.6
61125-520DA/520DALF	-0.3	
61125-520FA/520FALF	-0.3	21.0



mat'l code	tolerance unless otherwise specified	CUSTOMER COPY	<b>FCI</b> www.fciconnect.com	title EJECTOR HEADER ASS'Y 3.3V, SMT TYPE 1/2/3
rev. ecn no. dr date	± 0.30	projection		
J	linear		product family	code
	angles	± 2°	PCMCIA	
dr	WENDY CHEN 07/11/95	unit	size	dwg no.
enr	JOSEPH HSIA 07/11/95	mm/inch	A3	61125
chr	JOSEPH HSIA 07/11/95	scale	1.2:1	sheet 4 of
appd	JENN TSAO 07/11/95			
sheet index	revision sheet			

DESCRIPTION : ABOVE PCB, DECK AND PUSH ROD LOCATION ARE AS VIEW BY USER.

NOTES:

- 8mm MIN. CARD EJECT.
- EJECT TRAVEL: 9.5mm
- PUSH ROD LOCATION AND P.C.B. SIDE ARE AS APPEARS INSTALLED.
- MATERIAL
  - HEADER ASS'Y:
    - PLASTIC :HOUSING ...LCP UL94V-0 BLACK
    - PIN :PHOSPHOR BRONZE
    - PCB : FR4
  - EJECT MECHANISM ASS'Y:
    - PLASTIC :GUIDE:POLYPHTHARAMID UL94V-0 BLACK
    - :BUTTON:POLYPHTHARAMID UL94V-0 BLACK
    - PLATE AND PUSH ROD :STAINLESS
    - EMI CONTACT:PHOSPHOR BRONZE
- FINISH (PIN)
  - UNDER PLATING :0.5µm MIN. Ni
  - CONTACT AREA :0.1µm MIN. GOLD OVER 0.5µm MIN. Pd-Ni
  - SOLDER TAIL ( FOR TIN LEAD OPTION) : 2.5µm MIN. Sn-Pb
  - SOLDER TAIL ( FOR LEAD FREE OPTION) : 2.5µm MIN. PURE TIN
- DIM "X"
 

4.25±0.1	3.5±0.1	5.0±0.1
OTHERS	36,67	1,17,34,35,51,68
- FOR P/N:61125-050CAN AND 61125-050CANLF:
  - TIGHTENING TORQUE OF SCREW:1.5 ~ 2.0 Kgf-cm
  - LUBRICANT SHOULD BE SPREAD TO MATING AREA OF PINS.
- IF LEAD FREE P.N.THE HOUSING WILL WITHSTAND EXPOSURE TO 260°C PEAK TEMPERATURE FOR 10 SECONDS IN A WAVE SOLDER APPLICATION WITH A 1.00MM MINIMUM THICK CIRCUIT BOARD.
- IF LEAD FREE P/N.THE PRODUCT MEETS EUROPEAN UNION DIRECTIVES AND OTHER COUNTRY REGULATIONS AS DISCRIBLED IN GS-22-008
- LEAD FREE P/N PACKAGING MEETS GS-14-920 SPECIFICATION
- PART NUMBER 61125-\*\*\*CAC,-\*\*\*CACLIF IS FOR CISCO

ORDERING INFORMATION

NAME	PART NO.		Q'TY
Ⓐ EJECT HEADER ASS'Y	61125-*****	61125-*****LF	1
Ⓑ MATING RECEPTACLE	91931-31169	91931-31169LF	1

LOWER DECK						
Ⓐ PRODUCT NO.	STAND-OFF HIGH DIM. L	PUSH ROD LOCATION Ⓞ	P.C.B. SIDE Ⓞ	P.C.B LAYOUT RECOMMENDED	Ⓑ MATING RECEPTACLE	MOUNT STYLE TO PCB AND PUSH ROD SIDE
61125-020CA/020CALF	2.2	RIGHT	ABOVE	P/N: TA-1056	RECEPTACLE PART NUMBER: 91931-31169 91931-31169LF	
61125-220CA/220CALF	2.2	RIGHT	ABOVE	SEE PAGE 6		
61125-040CA/040CALF	4.3	RIGHT	ABOVE	SEE DRAWING P/N: TA-1056		
61125-050CA/050CALF	5.0					
61125-050CAN/050CANLF	5.0					
61125-020CAC/020CACLIF	2.2					
61125-040CAC/040CACLIF	4.3	LEFT	BELOW	SEE DRAWING P/N: TA-1056		
61125-050CAC/050CACLIF	5.0					
61125-120CA/120CALF	2.2					
61125-140CA/140CALF	4.3					
61125-150CA/150CALF	5.0	RIGHT	BELOW	SEE DRAWING P/N: TA-1056		
61125-520CA/520CALF	2.2					
61125-520FA/520FALF	2.2					
61125-520DA/520DALF	2.2					
61125-540CA/540CALF	4.3	LEFT	BELOW	SEE DRAWING P/N: TA-1056		
61125-550CA/550CALF	5.0					
61125-620CA/620CALF	2.2					
61125-640CA/640CALF	4.3	LEFT	BELOW	SEE DRAWING P/N: TA-1056		
61125-650CA/650CALF	5.0					

UPPER DECK					
Ⓐ PRODUCT NO.	JOINT WITH LOWER DECK STAND-OFF HIGH(DIM. L)	PUSH ROD LOCATION Ⓞ	P.C.B. SIDE Ⓞ	Ⓑ MATING RECEPTACLE	MOUNT STYLE TO PCB AND PUSH ROD SIDE
61125-005CA/005CALF	0.0	RIGHT	ABOVE	RECEPTACLE PART NUMBER: 91931-31169 91931-31169LF	
61125-025CA/025CALF	2.2				
61125-045CA/045CALF	4.3				
61125-055CA/055CALF	5.0				
61125-025CAC/025CACLIF	2.2				
61125-045CAC/045CACLIF	4.3				
61125-055CAC/055CACLIF	5.0	LEFT	BELOW	RECEPTACLE PART NUMBER: 91931-31169 91931-31169LF	
61125-105CA/105CALF	0.0				
61125-125CA/125CALF	2.2				
61125-145CA/145CALF	4.3				
61125-155CA/155CALF	5.0				
61125-505CA/505CALF	0.0				
61125-525CA/525CALF	2.2	RIGHT	BELOW	RECEPTACLE PART NUMBER: 91931-31169 91931-31169LF	
61125-545CA/545CALF	4.3				
61125-555CA/555CALF	5.0				
61125-605CA/605CALF	0.0				
61125-625CA/625CALF	2.2				
61125-645CA/645CALF	4.3				
61125-655CA/655CALF	5.0	LEFT	BELOW	RECEPTACLE PART NUMBER: 91931-31169 91931-31169LF	
61125-655CA/655CALF	5.0				

NOTES:

- IT CAN'T BE USED FOR SINGLE DECK.
- IT MUST BE ASSEMBLED BY USER FOR DOUBLE DECK APPLICATION.(PLEASE REFER TO P/N 61124)

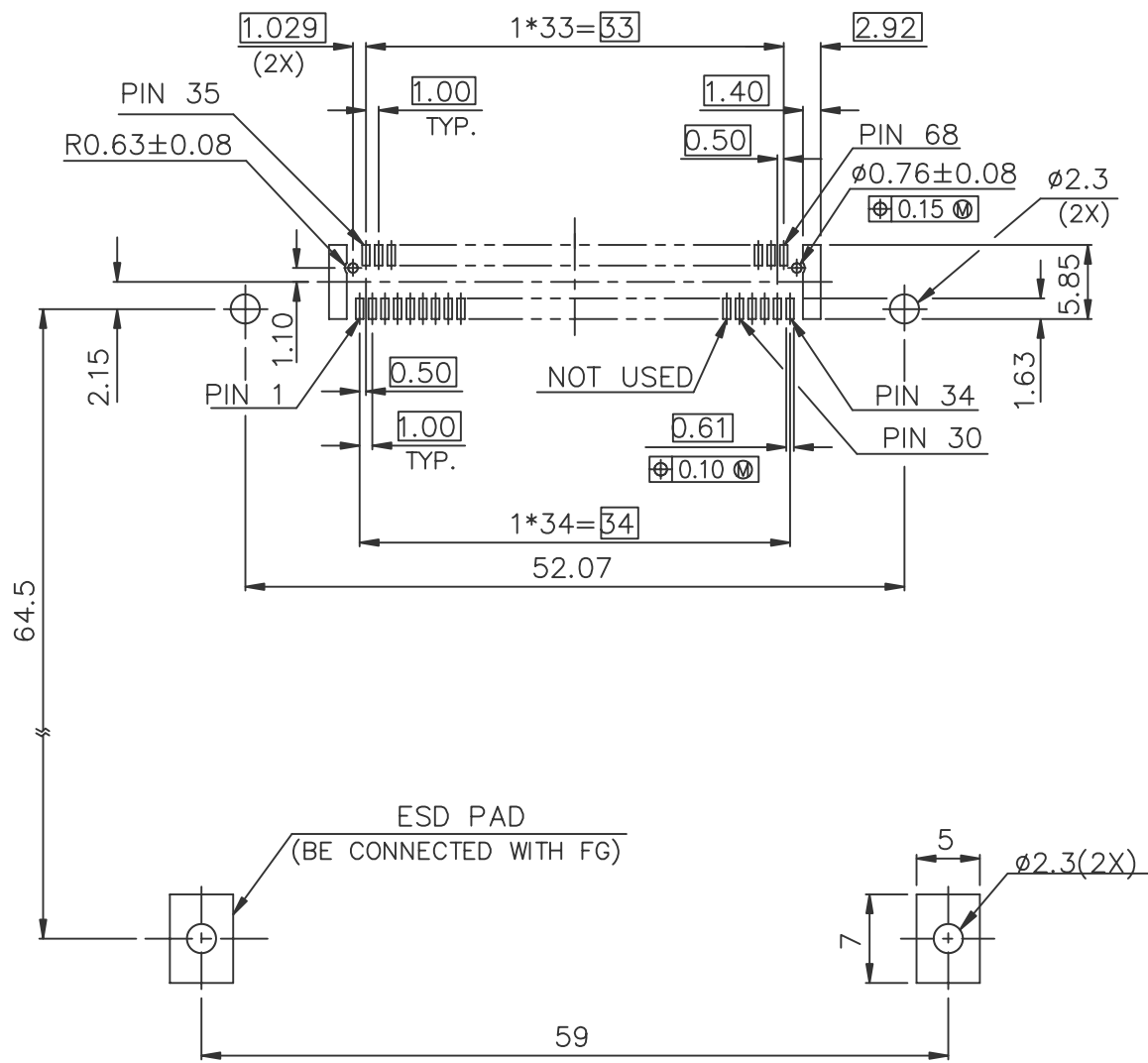
mat'l code	tolerance unless otherwise specified	CUSTOMER COPY		www.fciconnect.com
rev. ecn no. dr date	linear	projection	title EJECTOR HEADER ASS'Y 3.3V, SMT TYPE 1/2/3	
K	angles		product family	code
	dr WENDY CHEN 07/11/95	unit	PCMCIA	
	enr JOSEPH HSIA 07/11/95	mm/inch	size	dwg no.
	chr JOSEPH HSIA 07/11/95	scale	A3	61125
	appd JENN TSAO 07/11/95	1.2:1	sheet	5 of
sheet revision				
index sheet				

Tous droits strictement reserves. Reproduction ou communication a des tiers int...

All rights strictly reserved. Reproduction or issue to third parties in any for...

Tous droits strictement réservés. Reproduction ou communication à des tiers sans autorisation écrite du propriétaire. Droits de reproduction BERG ELECTRONICS by

All rights strictly reserved. Reproduction or issue to third parties in any form without written authority from the proprietor. Copyright BERG ELECTRONICS by



BOARD VIEW FROM CONNECTOR MOUNTED SIDE  
TOP OF BOARD IN APPLICATION  
FOR 61125-220CA/220CALF ONLY

mat'l code		tolerance unless otherwise specified		CUSTOMER COPY		 www.fciconnect.com		
rev.	ecn no.	dr	date	linear	±0.1	projection	title	
J						angles		
		dr	WENDY CHEN	01/30/02	unit	product family		
		enr	MINERVA WANG	01/30/02	mm/inch	PCMCIA	code	
		chr	MINERVA WANG	01/30/02	scale	size	dwg no.	
		appd	JENN TSAO	01/30/02	1.2:1	A3	61125	
sheet	revision							sheet
index	sheet							6 of 6